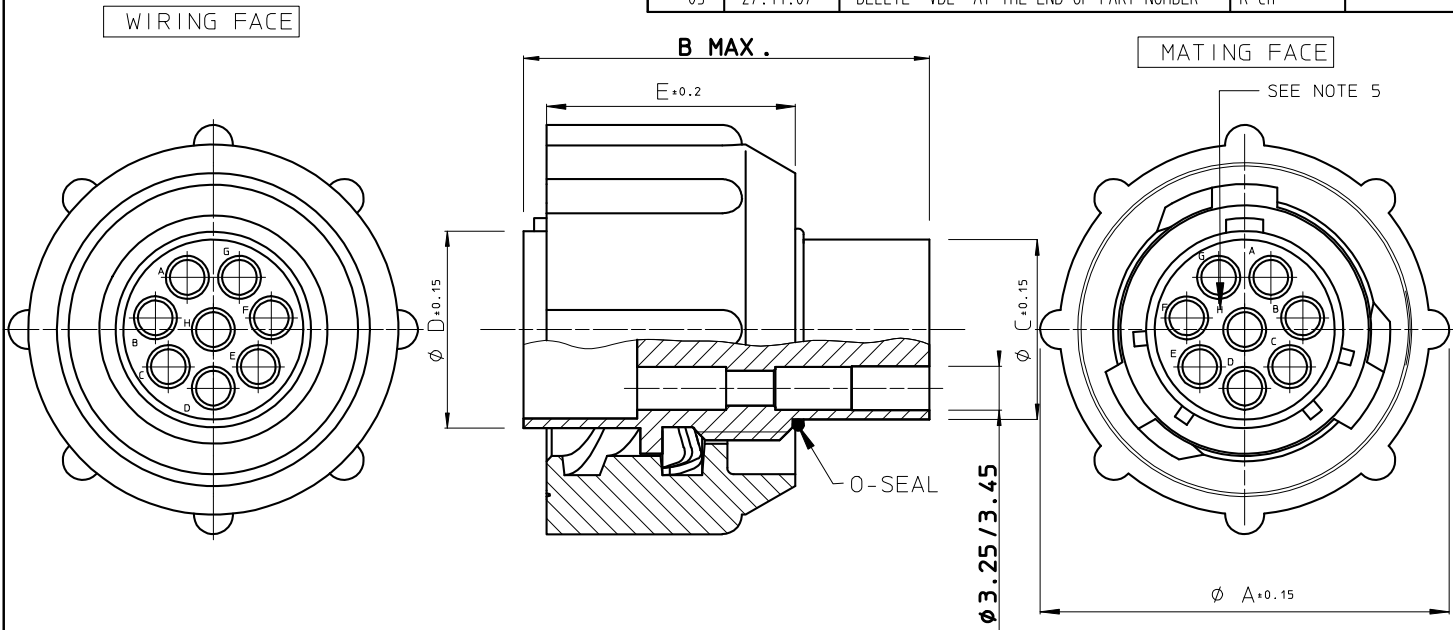


DIT IS ONZE EIGENDOM EN MAG NOCH NAGEMAAKT, HERDRUKT, OVERGEMAAKT AAN DERDEN, NOCH VOOR FABRIKATIE GEBRUIKT WORDEN, ZONDER ONZE SCHRIFTELIJKE TOELATING. BIJ NIET GEBRUIK IS DE TERUGGANG VERPLICHT.

THIS IS OUR EXCLUSIVE PROPERTY. IT IS NOT TO BE COPIED, REPRINTED OR DISCLOSED TO A THIRD PARTY, NOR USED FOR MANUFACTURING WITHOUT OUR WRITTEN CONSENT. AND HAS TO BE RETURNED TO US IN CASE OF NO USAGE

REV.	DATE	DESCRIPTION	BY	C'K'D'
00	24.10.96	UTP6103PVDE AND UTP6187PVDEU ADDED	S.V.D.	
01	18.04.97	NOTE 5 ADDED	S.V.D.	
02	07.03.02	BEC 9.3573	N.L.	
03	27.11.07	DELETE 'VDE' AT THE END OF PART NUMBER	R Ch	



CAT. NUMBER	phi A+0.15	B MAX.	phi C+0.15	phi D+0.15	E+0.2
UTP6103P	26.7	31.8	10.9	12.2	19.1
UTP6104P	26.7	31.8	10.9	12.2	19.1
UTP6125P	31.4	31.8	13.8	15.1	19.1
UTP6128P	31.4	31.8	13.8	15.1	19.1
UTP61412P	34.5	31.8	17.0	18.3	19.1
UTP61619P	37.8	31.8	19.9	21.5	19.1
UTP6187P	40.8	33.0	22.4	24.0	19.1
UTP61823P	40.8	31.8	22.4	24.0	19.1
UTP62028P	43.9	31.8	25.6	27.2	19.1
UTP62235P	47.0	31.8	26.5	30.4	19.1
UTP62448P	50.1	31.8	31.7	33.5	19.1

UTP6128P AS SHOWN

MATERIAL

- BODY : GLASS-FILLED POLYESTER UL94-V0 ; COLOUR : BLACK
- BAYONET RING : GLASS-FILLED POLYESTER UL94-V0, COLOUR BLACK
- COUPLING SPRING : SPRING STEEL
- O-SEAL : PERBUNAN

PERFORMANCE CHARACTERISTICS

- OPERATING TEMPERATURE : -25 °C TO +125 °C.
- INSULATION RESISTANCE : 5000 MOhm MIN.
- TEST POTENTIAL : 2000 V EFF.

NOTES

- 1 CONNECTOR ACCEPTS Nr 16 STRIP FORMED PIN, MACHINED PIN AND SUBMINIATURE COAXIAL PIN AND SOCKET CONTACTS.
- 2 CONTACTS TO BE ORDERED SEPARATELY : REFER TO TRIM - TRIO CATALOG.
- 3.FOR OTHER INSERT ARRANGEMENTS SEE BS.C .201458.000
- 4.MATING PART : UTP0----S OR UTP1----S
- 5.THE CAVITY MARKING OF ALL SIZES IS WITH LETTERS, EXCEPT FOR THE ITEMS UTP6103P AND UTP6187P, THEY HAVE A NUMBERING.

GEN. ST.	01	02	03	04	05	06	07	08	0D	50	60	70	80	90																	
INT. ST.	10	11	12	13	14	18	20	31	32	33	34	38	39	40	42	43	44	45	46	48	56	70	72	73	75	76	81	82	83	84	88

1DEC ±0,2 1DEC 2DEC ±0,1 2DEC ANGLES ±1° HOEKEN	APPR.	DATE	SIGN.	UTP MALE PLUG CAT. No. UTP6----P
	DRAFT	19-04-94	J.GOOSENS	
WE RESERVE THE RIGHT TO CHANGE DIMENSIONS OR REQUIREMENTS WITHOUT PRIOR NOTICE.	PROD. MGR.			SOURIAU Route Nationale 23 72470 CHAMPAGNE
	PR. ENG. MGR.			
ALL DIMENSIONS IN MM 	PR. MGT. MGR.			SCALE 1:1
REFERENCES / REFERENTIES 				NOT EXPORT CONTROLLED BS, A , 201766, 003, 03 DRAWING NR. CUSTOMER DRAWING

BS, A , 201766, 003, 03

ALLE AFMETINGEN IN MM